

# TECHNICAL DATA SHEET

Compass Round Wall Hung WC - WHI 150S

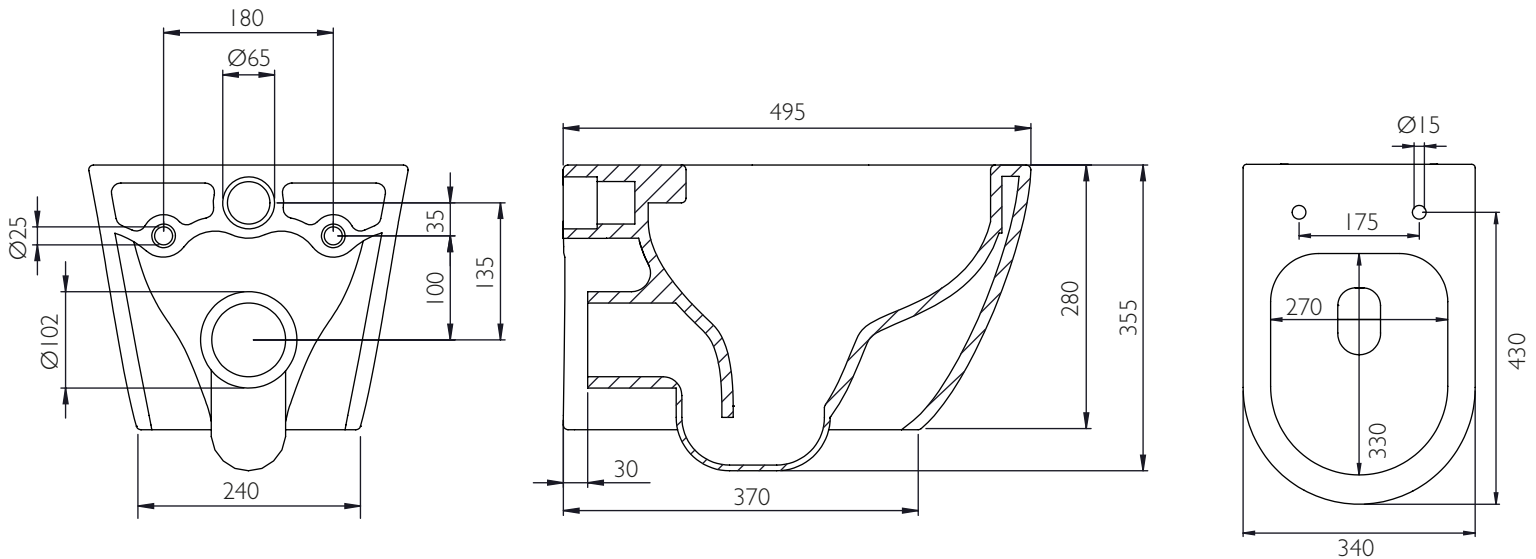
# TAVISTOCK

NO.	Description	Product Code	Fixings included	Gross Weight
1	Soft Close Slim Seat	TSI 150S-SF	YES	2 (KG)
2	Wall Hung WC	WHI 150S	YES	24 (KG)



## DIMENSIONS

DIAGRAMS NOT TO SCALE | ALL DIMENSIONS IN MM TOLERANCE OF ± 5MM  
ALL PRODUCTS CONFORM TO BRITISH STANDARDS



\*Dimensions are subject to change, customers are advised to measure actual product before commencing installation.  
\*\*Fixing point dimensions are for guidance only. The positions of fixings must be checked when product is received.

## FAQs

- Q - Do I need to use a wall hung frame?  
A - Yes. It is essential that this product is installed onto a frame
- Q - Does the pan use Concealed fixings?  
A - Yes, the pan is provided with a fixing kit, screws are accessed through the seat fixing holes of the WC
- Q - Is this WC rimless or box rim?  
A - Rimless
- Q - What finish is the ceramic glaze?  
A - Keramik White

Key Dimensions Descriptions	Key Dimensions (mm)
Front to Back Footprint	370mm
Left to Right Footprint	240mm
Bowl Front to Back	330mm
Bowl Left to Right	270mm
Pan Height (inc. sump)	280mm (355mm)
Pan Overall front to Back	495mm
Width of Inner Void	190mm